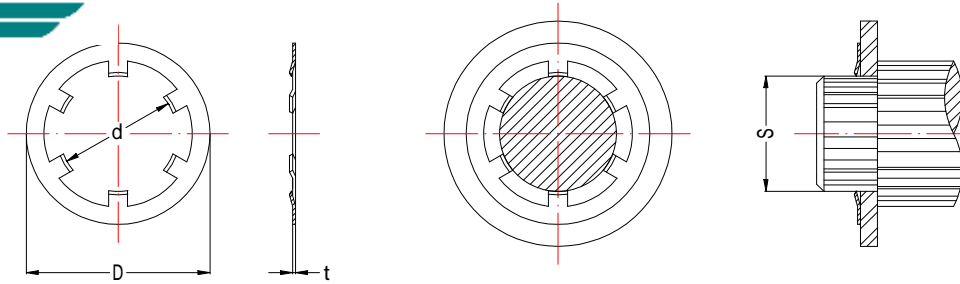




Circular External Nuts



Unit: mm

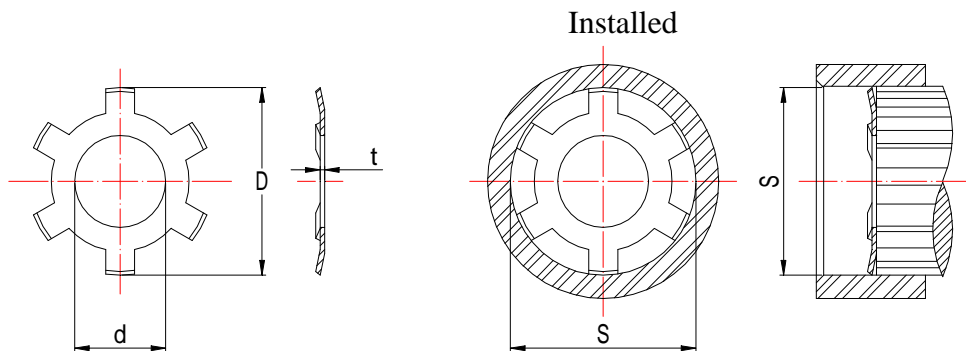
Size-No.	Ring dimension					Nos.of Teeth	Applicable shaft		Thrust Load kgf	
	d		D		t		S			
	Max.	Min.	Max.	Max.			Max.	Min.		
CSTW-	2	1.95	1.85	6.2	5.8	0.25	3	2.03	2	6
	2.4	2.3	2.2	6.6	6.2	0.25	3	2.43	2.37	6
	3	2.9	2.8	8.2	7.8	0.25	4	3.03	2.97	9
	3.5	3.3	3.2	7.7	7.3	0.25	4	3.53	3.47	10
	4	3.9	3.8	9.2	8.8	0.25	4	4.03	3.97	12
	4.5	4.4	4.3	10.2	9.8	0.25	5	4.53	4.47	14
	5	4.9	4.8	10.2	9.8	0.25	5	5.03	4.97	16
	6	5.9	5.8	11.2	10.8	0.25	5	6.03	5.97	18
	8	7.9	7.8	13.2	12.8	0.25	5	8.03	7.97	21
	10	9.9	9.8	15.6	15.2	0.25	6	10.03	9.97	21
	12	11.9	11.8	18.1	17.5	0.4	6	12.03	11.97	23
	14	13.9	13.8	20.6	20	0.4	6	14.05	13.95	23
	16	15.9	15.8	23.1	22.5	0.4	6	16.05	15.95	23
	18	17.9	17.8	25.3	24.7	0.4	8	18.05	17.95	25
	19	18.85	18.55	25.7	25.1	0.4	6	19.05	18.95	25
	20	19.9	19.8	28.3	27.7	0.4	8	20.05	19.95	25
	22	21.85	21.55	28.8	28.2	0.4	6	22.05	21.95	25

Material=Carbon spring steel. Hardness=HRC40~50. Finish=Black phosphate coating (ACP).

Material=Stainless spring steel.

- Note: 1. The data of thrust load shows the value when the nut is tested by the shaft made of cold rolled steel.
2. This ring can not use of hardened shaft.

Circular Internal Nuts



Size-No.	Ring dimension					Nos.of Teeth	Applicable shaft		Thrust Load kgf	
	D		d		t		S			
	Max.	Min.	Max.	Min.			Max.	Min.		
CRTW-	-6	6.2	6.1	2.4	2.0	0.25	6	6.03	5.97	20
	8	8.2	8.1	3.8	3.4	0.25	6	8.03	7.97	20
	10	10.2	10.1	5.2	4.8	0.25	6	10.03	9.97	18
	12	12.2	12.1	6.8	6.4	0.25	6	12.03	11.97	15
	14	14.2	14.1	8.4	8.0	0.25	6	14.03	13.97	13
	16	16.2	16.1	10.0	9.6	0.25	6	16.03	15.97	12
	18	18.2	18.1	11.2	10.8	0.4	8	18.03	17.97	30

Material=Carbon spring steel. Hardness=HRC40~50. Finish=Black phosphate coating (ACP).

- Note: 1. The data of thrust load shows the value when the nut is tested by the bore made of cold rolled steel.
2. This ring can not use of hardened bore.

ALL RIGHTS RESERVED

DONGGUAN EAGLE SANKYOU SCREWS AND FASTENERS CO.,LTD.