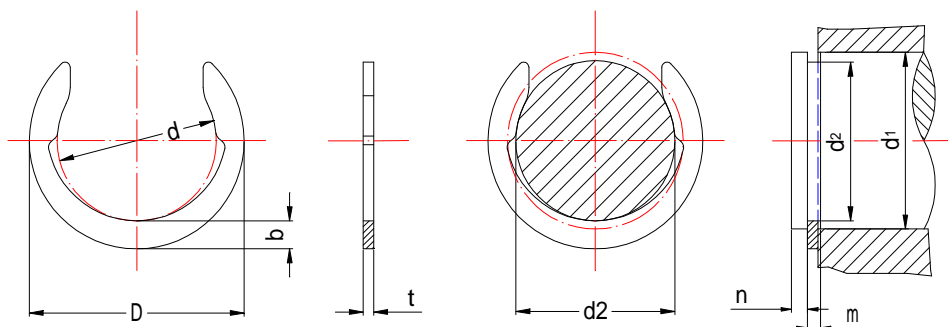




## C-Rings Groove Dimension



Rings can be supplied in tape wrapped.  
Size No.5103-12 through-50

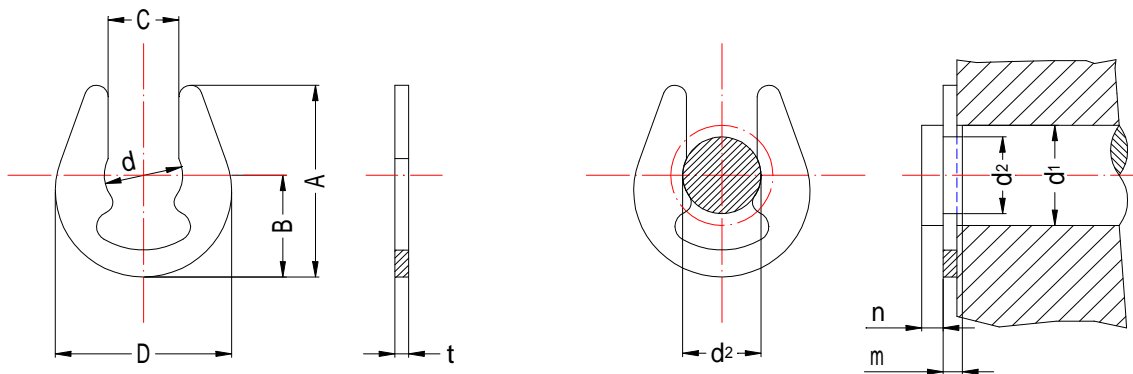
Unit: mm

Size-No.	Ring dimension							Groove dimension					
	d		D	b	t		d1	d2		m		n (Min.)	
	Max.	Min.			Max.	Min.		Max.	Min.	Max.	Min.		
5103	-12	2.64	2.49	4.17	0.79	0.43	0.37	3.2	2.73	2.65	0.52	0.48	0.5
	18	4.14	3.99	6.19	1.05	0.43	0.37	4.8	4.23	4.15	0.52	0.48	0.6
	21	4.82	4.62	6.99	1.12	0.64	0.56	5.6	4.95	4.85	0.73	0.7	0.7
	25	5.43	5.23	7.9	1.27	0.64	0.56	6.4	5.64	5.54	0.73	0.7	0.8
	31	6.93	6.73	9.56	1.35	0.64	0.56	7.9	7.06	6.96	0.73	0.7	0.9
	37	8.4	8.2	11.37	1.52	0.64	0.56	9.5	8.56	8.46	0.73	0.7	1
	40	9.19	8.99	12.32	1.6	0.64	0.56	10.3	9.30	9.20	0.73	0.7	1.1
	43	9.87	9.67	13.1	1.65	0.64	0.56	11.1	10.03	9.93	0.73	0.7	1.1
	46	10.61	10.41	14	1.73	0.64	0.56	11.9	10.76	10.62	0.73	0.7	1.2
	50	11.35	11.05	14.76	1.78	0.95	0.85	12.7	11.5	11.36	1.08	1	1.3
	56	12.77	12.47	16.56	1.98	0.95	0.85	14.3	12.95	12.81	1.08	1	1.4
	81	18.49	18.13	23.23	2.46	1.46	1.34	20.6	18.66	18.52	1.58	1.5	2.3

Material=Carbon spring steel. Hardness=HRC44~52.

Finish=Black phosphate coating (ACP), Zn plating, Chromate dip.

## U-Rings Groove Dimension



Unit: mm

Size-No.	Ring dimension									Groove dimension							
	d		A	D	C		B	t		d1	d2		m		n (Min.)		
	Max.	Min.			Max.	Min.		Max.	Min.		Max.	Min.	Max.	Min.			
UTW-	3.2	3.23	3.1	8.7	8	2.8	2.6	4.6	0.64	0.56	4	5	3.31	3.26	0.8	0.7	1
	4	4.03	3.9	10	9	3.6	3.4	5.3	0.74	0.66	5	7	4.13	4.08	0.9	0.8	1.2
	5	5.03	4.9	12.8	11.6	4.4	4.2	6.8	0.74	0.66	6	8	5.15	5.1	0.9	0.8	1.2
	6	6.05	5.85	14.8	13.5	5.3	5.0	8	0.74	0.66	7	9	6.18	6.1	0.9	0.8	1.2
	7	7.05	6.85	17	15	6.2	5.9	9	0.95	0.85	8	11	7.18	7.1	1.1	1	1.5
	8	8.05	7.8	19.5	17.5	7.1	6.8	10.5	1.05	0.95	9	12	8.18	8.1	1.2	1.1	1.8

Material=Carbon spring steel. Hardness=HRC44~52.

Finish=Black phosphate coating (ACP). Zn plating, Chromate dip.

ALL RIGHTS RESERVED